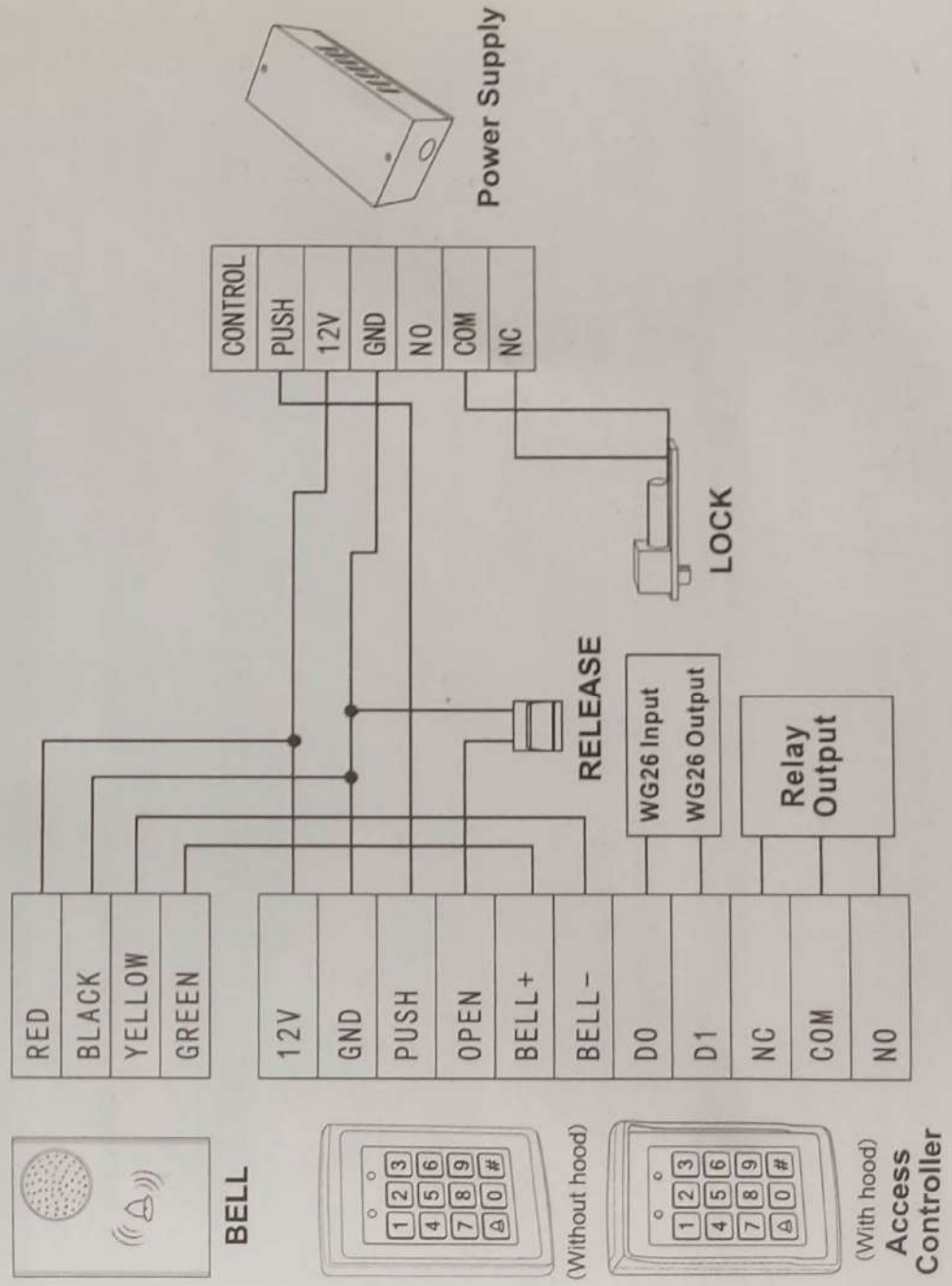


A07 METAL PASSWORD ACCESS CONTROL MACHINE

Installation and operation manual

WIRING DIAGRAM



Please read this manual carefully before use

1. Function parameters

Working voltage	DC12V
Quiescent current	≤40mA
Operating current	≤100mA
Ambient temperature	0°C ~ 45°C
Ambient humidity	0~90%
Door opening mode	Card, password, card or password, card + password
Card reading type	125KHz IDCard
Management card	One add card and one delete card
User capacity	10000
Input output format	WG26/WG34

2. Factory Default

2.1 Default Setting

You can restore the default parameter settings by entering settings. Please refer to all-in-one mode settings for specific operation

Projects	Parameter value	Projects	Parameter value
Door opening mode	Card or password to open the door	Anti disassembly alarm function	Close
Opening time	5 seconds	Key light	Automatic
Public access code	nothing	Password function	Close
Default mode	All in one mode	Management card	User defined

2.2 Default programming password

The factory programming password is "123456". When you forget the programming password, press the door switch and power on again. After 2 beeps, the default programming password is restored successfully.

3. All in one mode operation

1. Management card operation

1.1 Add card operation

Swipe once to add a card. After two short beeps, the green light will continue to flash slowly. At this time, you can enter the add user state. You can swipe the card continuously to add a user. Finally, swipe once to add a card to exit.

Note: when adding a user, a long beep indicates that the card has been added successfully, the green light flashes three times, and the silent tone indicates that the card has been added before.

1.2 Delete card operation

Swipe once to delete the card. After 4 short beeps, the red light continues to flash slowly. At this time, you enter the delete user state. You can swipe the card continuously to delete the user. Finally, you swipe once to delete the card and exit.

Note: when deleting a user, a long beep indicates that the deletion is successful, a red light flashes three times, and a silent tone indicates that the card has been deleted before

2. User card operation

Swipe valid card, drop 1 sound, open the door, green light and open the door time synchronization.

Swipe invalid card, short sound 3 times, red light flash 3 times.

3. Password operation

Enter 3-5 valid passwords and press #, then open the door; Enter 6 valid password and open it directly. Input invalid password, short sound 3 times, red light flash 3 times

4. Electrical switch mode operation

The switch mode of electric appliance can brush the valid card or press the valid password to switch the switch status.

The management card operation and setting operation in this mode are the same as the integrated mode.

5. Add user mode automatically

In this mode, swipe any user card, open the door at the same time, add this user card.

6. Reader mode operation

Swipe any card, output Wigan signal, green light on once.

In this mode, you can only modify the programming password and switch mode settings.

7. Setup and operation of all in one mode

Purpose		Operations	Instructions
Administrators	Change programming password	# Programming password # 00 New password # repeat new password #	The default password is 123456. If you forget the password, you can restore the default password by pressing the door switch and powering on after power failure
	Set up add card	# Programming password # 01 pay by card	Add card users can be added with add card. Only one add card can be set
	Set up del card	# Programming password # 02 pay by card	Only one delete card can be set for a delete card user with a delete card case
Working mode	All in one mode	# Programming password # 03 1 #	Set the machine to all-in-one mode (factory default), and switch the Wigan mode to input mode
	Reader output mode	# Programming password # 03 2 #	Set the machine to reader mode and Wigan mode to output
	Door normally open mode setting	# Programming password # 03 3 #	Set the machine to electrical switch mode, brush the valid card or press the valid password once to keep the door open, brush the valid card again or press the valid password to keep the door closed
	Add card user mode automatically	# Programming password # 03 4 #	Set the machine to auto add card user mode, swipe any user card, add the user and open the door at the same time. Note: after entering this mode, only when it is modified to the above integrated machine mode, can the automatic card adding mode be exited, otherwise, the card is always added

Purpose		Operations	Instructions
Password and other settings	Set public door opening password	# Programming password # 04 3-6-digit password #	Set a public password to open the door. Press the 3-5-digit password, and then press #, you can open the door. Press the 6-digit password to open the door directly
	Modify user's password	# Programming password # 05 3-6-digit password of swipe card #...#	Set the corresponding password for each card user, which is the same as the public password
	Format setting of input and output of card reader	# Programming password # 06 XX #	Set Wigan input and output format, XX as 26 or 34, format as WG26 or wg34
	Restore factory settings	# Programming password # 09 9999 #	Restore the default settings, delete the public password, do not change the programming password

Purpose		Operations	Instructions
Add users	Add user card	# Programming password # 10 1 card reading #	Continuous swipe, add card users, automatic number, number range 0000-9999
	Add user password	# Programming password # 10 2 3-6-digit new password #...#	Continuously input password, increase pure password users, no associated card number, Automatic numbering, numbering range 0000-9999
	Can increase users by card number	# Programming password # 10 3 8-digit or 10 digit card number #...#	Continuous input card number, add card users, automatic number, number range 0000-9999
	Add user with continuous card number	# Programming password # 10 4 Starting card number # number of cards #	To add a serial number card user, the card number can be 10 or 8 digits, and the number of cards needs to enter four digits 0001-9999, Automatic numbering, numbering range 0000-9999
	Add "card + password" users	# Programming password # 10 5 Card 3-6 digit password #...#	Continuous input card number, add card users, automatic number, number range 0000-9999

Purpose		Operations	Instructions
Delete user	Delete all users	# Programming password # 30 0 0000 #	Delete all users, do not delete public door opening password
	Delete user card	# Programming password # 30 1 Swipe card... #	Continuously swipe the card to delete the corresponding user
	Delete password user	# Programming password # 30 2 User password #...# 0	Input the password continuously, delete the password and the corresponding user
	Delete card number user	# Programming password # 30 3 8-digit or 10 digit card number #...#	Enter the card number and delete the card and the corresponding user
	Delete number user	# Programming password # 30 4 User number #...#	Enter the number to delete the corresponding user
	Delete all password users	# Programming password # 30 5 0000 #	Delete all password users (no corresponding card number information)

Purpose		Operations	Instructions
Door opening mode setting	Can't open the door	# Programming password # 40 0 #	No way to open the door
	Card or password to open the door	# Programming password # 40 1 #	Card or password open door card and password users can open the door (factory default)
	Open the door	# Programming password # 40 2 #	You can only open the door with a card
	Password, open the door	# Programming password # 40 3 #	You can only use the password to open the door
	Card + password	# Programming password # 40 4 #	After swiping the card, enter the password to open the door
	Modify opening time	# Programming password # 41 00-99 #	The opening time is set to 01-99 seconds, and the default opening time is 5 seconds

Purpose		Operations	Instructions
Safety function	Turn off password security	# Programming password # 50 1 #	Turn off password security (factory default)
	Turn on password security	# Programming password # 50 2 #	Turn on the password security function, turn on the password security function, the password input error is more than 10 times, locked for 5 minutes, the key has no function, you can swipe the card
	Turn off the anti disassembly alarm function	# Programming password # 50 3 #	Turn off anti disassembly alarm function (factory default)
	Turn on the anti disassembly alarm function	# Programming password # 50 4 #	When the back cover is opened, the buzzer will sound continuously and the machine has no function.
Key light	The button light is always off	# Programming password # 60 1 #	Key light off mode
	The button light is always on	# Programming password # 60 2 #	Key light always on mode
	Key light delay	# Programming password # 60 3 #	Key light automatic mode, no operation, 5 seconds off (factory default)

8. Reader mode setting operation

Purpose		Operations	Instructions
Administrators	Change programming password	# Programming password # 00 New password # repeat new password #	The default password is 123456. If you forget the programming password, you can restore the factory settings
	All in one mode	# Programming password # 03 1 #	Set to all in one mode

***Note:** in the reader mode, you can only modify the programming password and switch the mode settings.

9. Installations Guide

NO	Mark	Color	Function
1	12V	Red	Power+
2	GND	Black	Power-
3	PUSH	Blue	Low level output
4	OPEN	Yellow	Door Release
5	BEL+	Grey	BELL+
6	BEL-	Purple	BELL-
7	D0	Green	WG DATA0
8	D1	White	WG DATA1
9	NC	Brown	Relay NC output
10	COM	Orange	Relay COMoutput
11	NO	Pink	Relay NO output

10. Supplementary Notes

- 10.1 In standby mode, press #, the red light will flash quickly, and the user will be prompted to input the programming password. When the number is directly input in the standby mode, the red light will flash slowly, and the password to open the door will be input at this time. 2. Enter the initial setting state, the red light and green light flash slowly synchronously. At this time, you can make any setting or press # to return to the standby state. Enter
- 10.2 digits to enter the submenu setting. At this time, the red light and green light are always on. Press # to return to the initial setting state.
- 10.3 Both pure password users and card users occupy a number. Card users can add corresponding passwords. All passwords cannot be the same. Otherwise, the setting is not successful.